



Making Data Acquisition Easy

CAGE/NCAGE CODE: 3FNFO

PIR-130-AC/DC

Passive Infrared (PIR) 360° Motion and Temperature Sensor Module Quick Start Guide

Product Website:

http://www.icpdas-usa.com/pir_130_dc.html

http://www.icpdas-usa.com/pir_130_ac.html

1. Introduction

This quick start manual will guide users to implement the PIR-130 module into their applications in a quick and easy way. This will only provide with the basic instructions. For the more detailed information, please refer to the PIR-130-AC/DC user's manual located on the ICPDAS CD-ROM or from ICP DAS web site:

<http://www.icpdas-usa.com/documents/users-manual-PIR-130-AC-DC.pdf>

The PIR-130 module includes a 1-channel temperature sensor and passive infrared sensor. PIR-130 is able to measure room temperature and detect infrared waves generated within approximately 8 meters in diameter with a 360° coverage area. The PIR-130 is used for indoor motion detection, and can be configured to automatically switch on a light, trigger fire alarm, and other actions.



Figure 1-1: PIR-130 Sensor Module



Making Data Acquisition Easy

CAGE/NCAGE CODE: 3FNFO

2. Installation

Step 1: Hardware Wiring

Wire power, RS-485 serial port, and relay output of PIR-130 as figure 2-1.

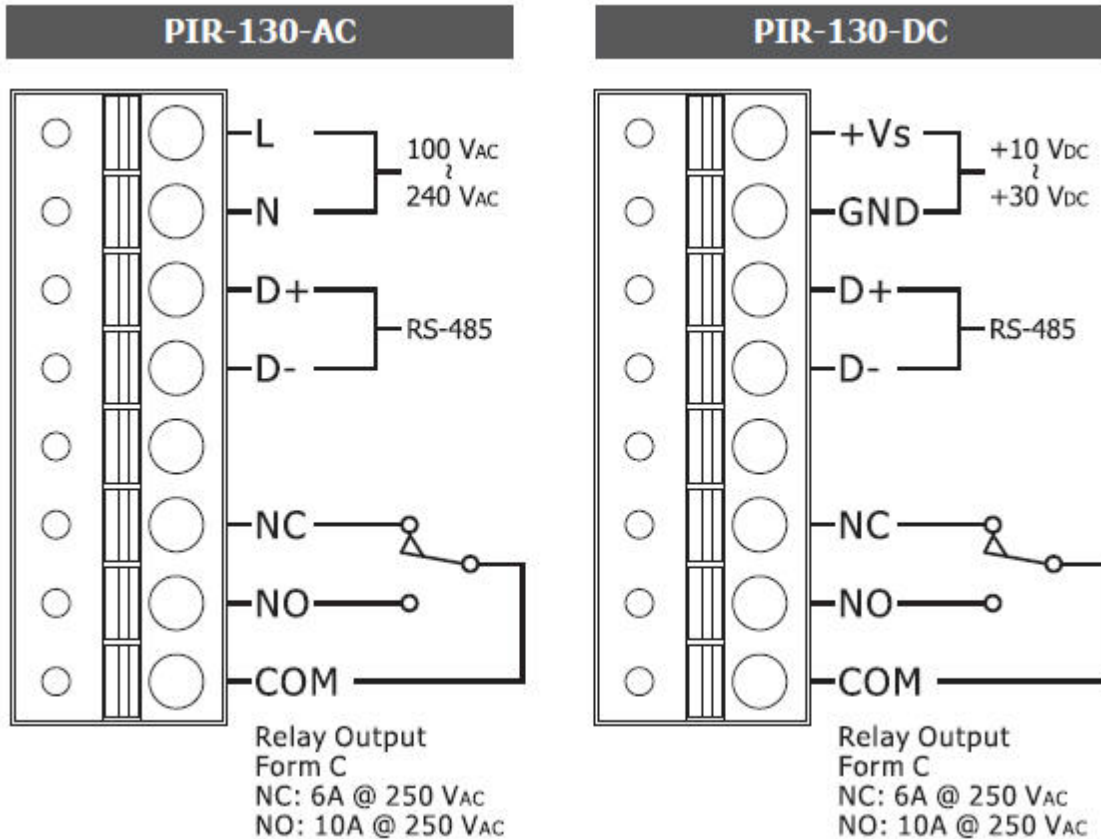


Figure 2-1: PIR-130 Wiring Diagram



Making Data Acquisition Easy

CAGE/NCAGE CODE: 3FNFO

Step 2: Hardware Installation

Mount PIR-130-AC/DC sensor module on the ceiling as figure 2-2.

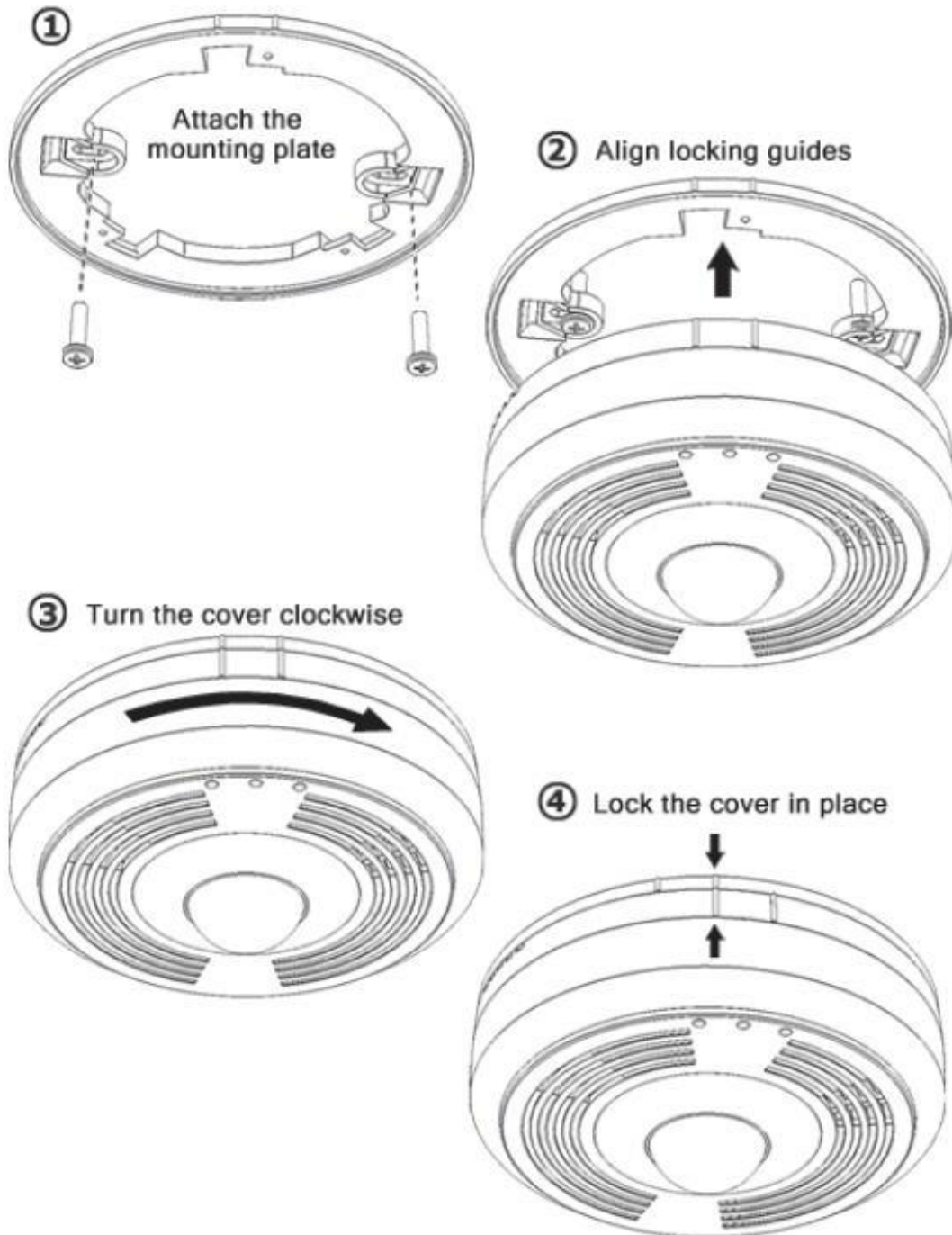


Figure 2-2: PIR-130 Mounting Instruction



Making Data Acquisition Easy

CAGE/NCAGE CODE: 3FNFO

Step 3: Switch Setting

Configure dip switch and rotary switch.

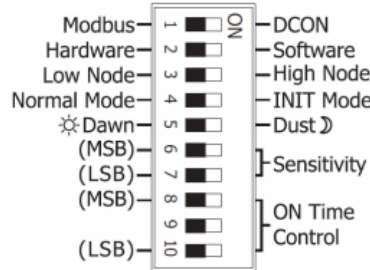


Figure 2-3: PIR-130 DIP switch

Function		Switch Number and Setting									
		1	2	3	4	5	6	7	8	9	10
Protocol	Modbus	OFF	---	---	---	---	---	---	---	---	---
	DCON	ON	---	---	---	---	---	---	---	---	---
Configuration	Hardware	---	OFF	---	---	---	---	---	---	---	---
	Software	---	ON	---	---	---	---	---	---	---	---
Address	Low Node	---	---	OFF	---	---	---	---	---	---	---
	High Node	---	---	ON	---	---	---	---	---	---	---
Mode	Normal	---	---	---	OFF	---	---	---	---	---	---
	INIT	---	---	---	ON	---	---	---	---	---	---
PIR Operating	Dawn	---	---	---	---	OFF	---	---	---	---	---
	Dust	---	---	---	---	ON	---	---	---	---	---
Sensitivity	Maximum	---	---	---	---	---	OFF	OFF	---	---	---
	High	---	---	---	---	---	OFF	ON	---	---	---
	Low	---	---	---	---	---	ON	OFF	---	---	---
	Minimum	---	---	---	---	---	ON	ON	---	---	---
ON Time Control	6 seconds	---	---	---	---	---	---	---	OFF	OFF	OFF
	16 seconds	---	---	---	---	---	---	---	OFF	OFF	ON
	33 seconds	---	---	---	---	---	---	---	OFF	ON	OFF
	66 seconds	---	---	---	---	---	---	---	OFF	ON	ON
	131 seconds	---	---	---	---	---	---	---	ON	OFF	OFF
	262 seconds	---	---	---	---	---	---	---	ON	OFF	ON
	524 seconds	---	---	---	---	---	---	---	ON	ON	OFF
	1049seconds	---	---	---	---	---	---	---	ON	ON	ON

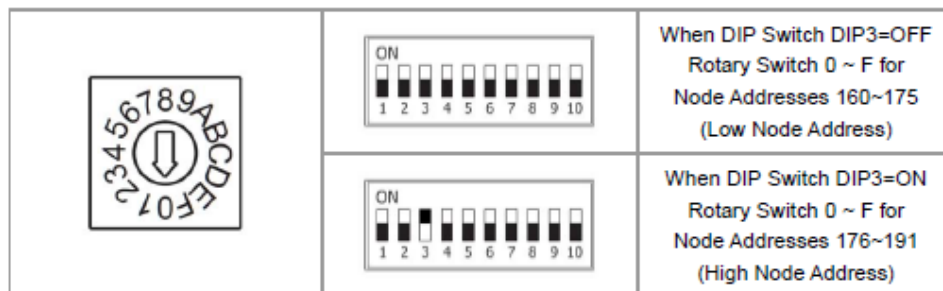


Figure 2-4: PIR-130 Switch Description

PIR-130-AC/DC(PIR motion and temperature sensor) - QuickStart (Oct/2015)

ICP DAS USA, Inc. | www.icpdas-usa.com | 1-310-517-9888 | 24309 Narbonne Ave. Suite 200. Lomita, CA 90717