



Making Data Acquisition Easy

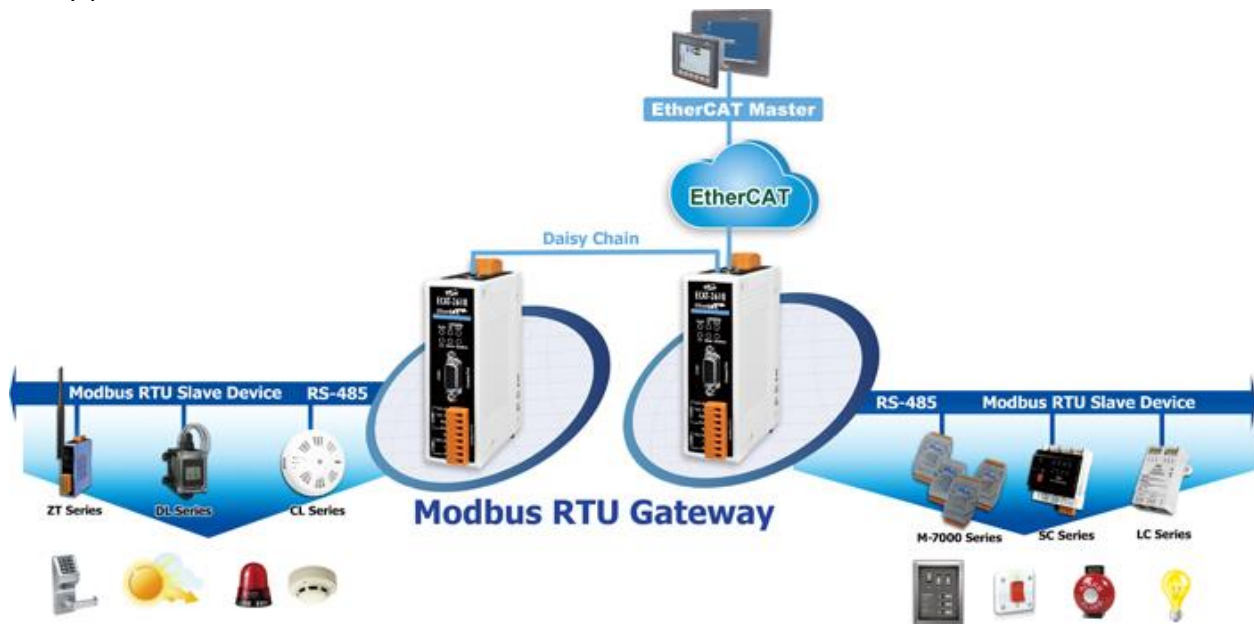
CAGE/NCAGE Code: 3FNFO

EtherCAT to Modbus RTU Gateway

EtherCAT protocol stands for Ethernet for Control Automation Technology. It is one of the fieldbus system by Beckhoff Automation. Industries can use EtherCAT to build real-time Ethernet network for data communication and data acquisition. According to Beckhoff, EthernetCAT can distribute 1000 I/O in 30 micro second.

* EtherCAT® **EtherCAT**™ is registered trademark and patented technology, licensed by Beckhoff Automation GmbH, Germany.

In order to exchange data between Modbus RTU and EtherCAT, ECAT-2061 Integrates your serial RS-232/422/485 based industrial devices and equipment to an EtherCAT control system without the need for any changes to the device. Just connect, configure and it's finished. The ECAT-2610 Communicator is a proven and trusted protocol converter gateway that connects non-networked industrial devices and equipment to EtherCAT. The gateway performs an intelligent protocol conversion and presents the serial data to the Master PLC/Controller as easily processed I/O data.





Making Data Acquisition Easy

CAGE/NCAGE Code: 3FNFO

ECAT-2610 has multiple communication ports for Modbus RTU communication, including RS-232, RS-485, and RS-422. Below is one of the applications that exchanging data from Modbus RTU slave (M-7050D) with EtherCAT (TwinCAT system manager). ICP DAS also provides configuration tool that can configure module easily.

In addition, ECAT-2610 has Power reverse polarity protection and power isolation that isolating the power supply or powered device from the power source for safety reason.

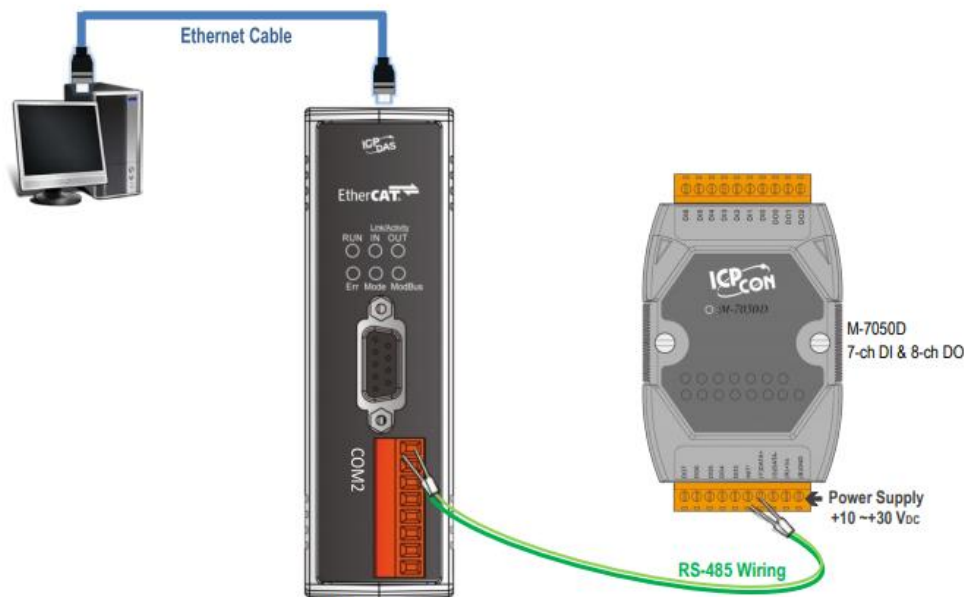
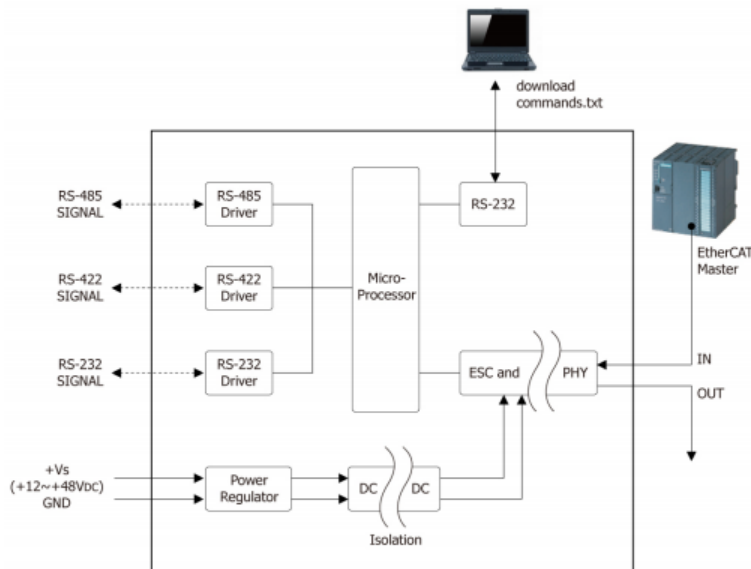


Figure 4-4.1





Making Data Acquisition Easy

CAGE/NCAGE Code: 3FNFO



https://www.icpdas-usa.com/ecat_2610

If you have other EtherCAT communication requirements or have some questions, we can certainly help you to choose the best solution. Please call our technical support team at (310) 517-9888 X102