



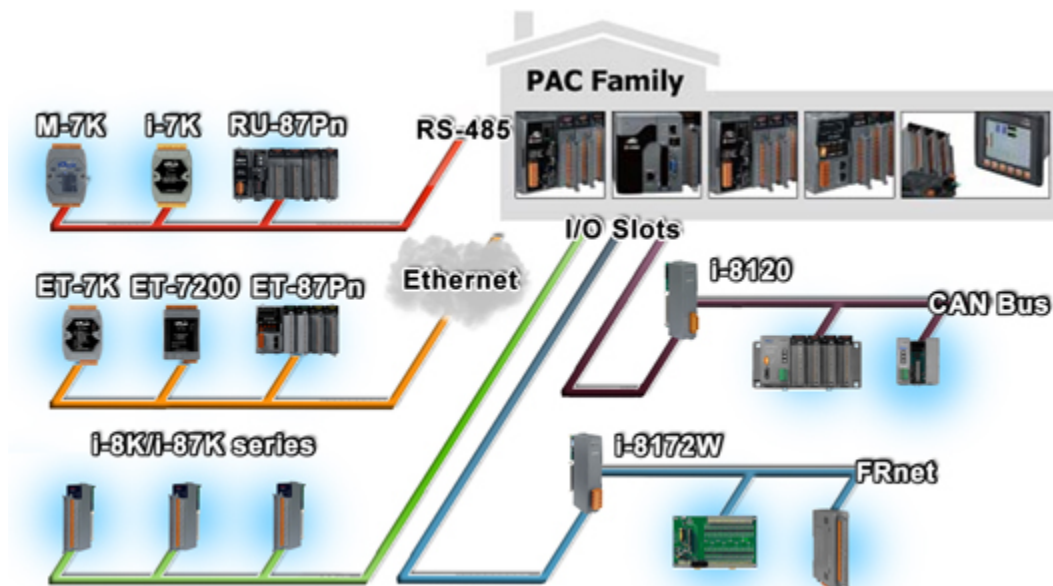
Making Data Acquisition Easy

CAGE/NCAGE Code: 3FNFO

## I/O Expansion for PAC controller

The PAC family of ICP DAS is a modular network-based PAC with the capability of connecting I/O either through its own dual backplane bus or alternatively through remote I/O units and remote I/O modules. This new exciting PAC family offers a flexible, versatile and economical solution to a wide range of applications from Data- Acquisition, process control, test & measurement, Motion Control to energy & building management.

Our PAC family includes WinPAC, XPAC, LinPAC, iPAC, ViewPAC, Motion PAC and  $\mu$ PAC for different requirements in OS, CPU and development platform.





Making Data Acquisition Easy

CAGE/NCAGE Code: 3FNFO

Most PACs have expansion slots that can be used to add expansion I/O modules. The expansion I/O modules can be divided into several categories: High Profile I-8K series and High Profile I-87K series I/O modules are designed for XP-8000, WP-8000, LP-8000, iP-8000 and ViewPAC series controllers; I-9K series and I-97K series I/O modules are for WP-9000 series controllers. The table below lists the differences between them.

With different communication interface, the I/O modules can be classified to high communication speed (Parallel bus) 8K series modules and low communication speed (serial interface) 87K series modules.

Item	I-8K Series	I-9K Series	I-87K Series	I-97K Series
Microprocessor		No		Yes (8051)
Communication interface		Parallel bus		Serial bus
Communication speed		Fast		Slow
DI latched function		No		Yes
Counter input (for digital input module)		No		Yes (100 Hz)
Power on value		No		Yes
Safe value		No		Yes
Programmable slew-rate for AO module		No		Yes
Support of WP-9000 controller	No	Yes	No	Yes



High Profile I-8K Series (Parallel Bus)



High Profile I-87K Series (Serial Bus)



I-9K Module with Parallel Bus (For XP-9000/WP-9000 only)



I-97K Module with Serial Bus (For XP-9000/WP-9000 only)

### High Profile VS Low Profile

With different form factor, I/O modules can be classified to high profile and low profile. Basically, high profile and low profile modules that with same item number also have same I/O channel number. Please contact us or refer to selection table to verify the compatibility of PAC controller.

For example: I-8054 and I-8054W both have 8 DI and 8 DO.

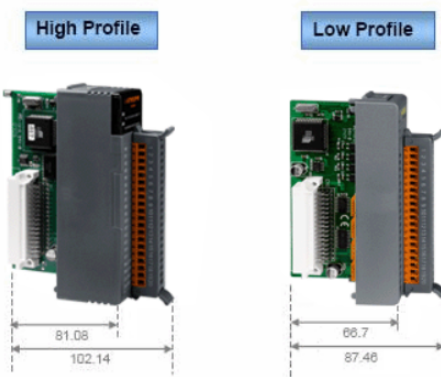


Making Data Acquisition Easy

CAGE/NCAGE Code: 3FNFO

Except I/O channel number, other specifications could be different. You have to double check whether the specifications suit your application. For example:

For I-8054W, its DI logic high level is +10~+50V. But for I-8054, it is +3.5~+30V.



The support list of MCU (Main Control Unit) and I/O expansion unit are:

**I-8K Series VS I-87K Series**

There are two types of I/O modules, Parallel and Serial. The I-8K series modules are high-speed modules with parallel interface and the I-87K series are serial interface modules. Both they are supported on PAC (Programmable Automation Controller) units listed in the following table.

PAC	Description	I-8K Series		I-87K Series	
		High Profile	Low Profile	High Profile	Low Profile
XPAC	WES/CE6 OS	Y...	-	Y...	-
WinPAC	CE5 OS	Y...	-	Y...	-
LinPAC	Linux OS	Y...	-	Y...	-
ViewPAC	PAC with Display	Y(Note)	-	Y(Note)	-
iPAC	MiniOS7 OS	Y	-	Y	-
iPPC-6731-WES7	WES PAC with 15" Touch Panel	Y	-	Y	-
MP-8000	Motion PAC	Y...	-	-	-
I-8000	MiniOS7 OS	Y	Y	Y	Y

If you have other industrial automation controller requirements or have questions, we can certainly help you to choose the best solution. Please call our technical support team at (310) 517-9888 X102