



Making Data Acquisition Easy

CAGE/NCAGE Code: 3FNFO

High Density Modbus RTU slave for Digital IO applicaitons

ICP DAS specializes in Data Acquisition and Data Communication for Industrial and Factory Automation. Modbus RTU is the most commonly used Protocol for Data Acquisition. The M-6026U-32 has 16 universal input and 16 universal output channels in one module. These IO channels can be configured to be digital or analog with the following types and ranges supported.

I/O Specifications

Universal Input		
Channels	16	
Type	0 ~ 2.5V, 0 ~ 5 V, 0 ~ 10 V, 0 to 20 mA, 4 to 20 mA, Pt1000, Dry Contact Digital Input	
Resolution	16-bit	
Accuracy	±0.1% of FSR	
Digital Input	On Level	Close to GND
	Off Level	OPEN
Over Voltage Protection	100 Vdc	
Universal Output		
Channels	16	
Type	0 to 20 mA, 4 to 20 mA, 0 to 10 V	
Resolution	12-bit	
Accuracy	±0.2% of FSR	
Voltage Output Capability	10 V@ 20mA	
Open Wire Detection for Current Output	Yes, Only 4 to 20 mA	

Because the IO channels are universal, this module can easily suit many application. The module support Modbus RTU protocol to poll for the IO status so it can also be integrated with many SCADA and PLC's to provide expansion IO or data for data logging and controls applications.

The module also features LED indicators to show IO status for digital channels and Open Wire detection when used for Analog Output applications.



Making Data Acquisition Easy

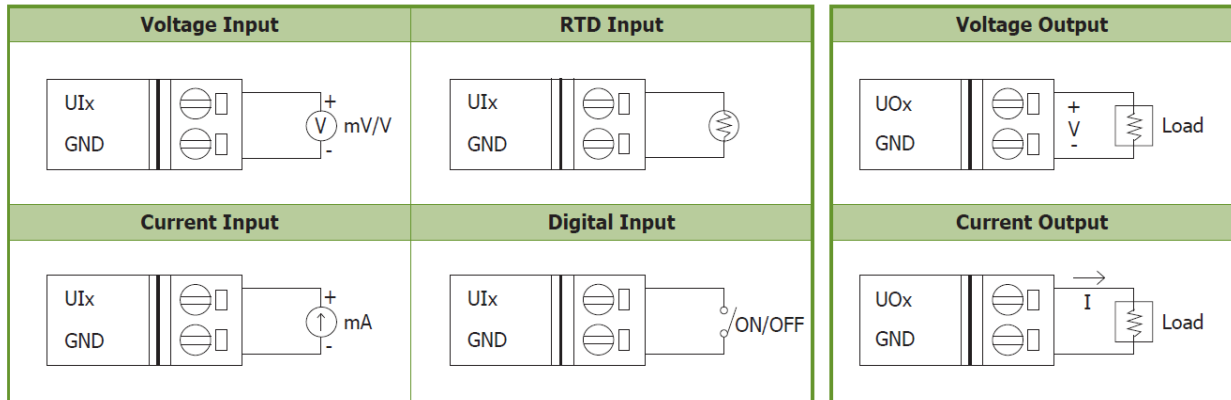
CAGE/NCAGE Code: 3FNFO



https://www.icpdas-usa.com/m_6026u_32.html

The space savings design makes this great for lighting control and building automation applications. The module is either din rail or surface mountable.

Wire Connections



If you have any questions, please feel free to contact us to discuss any applications you may have.