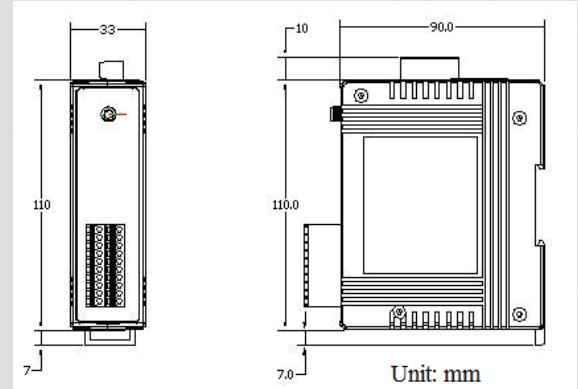




Wi-Fi Data Acquisition I/O Module (8DI / 8DO)



WF-2055

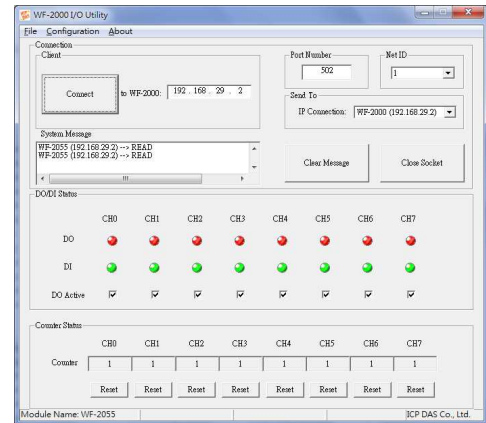


Dimensions

The WF-2055 is an 8-channel isolated digital input with 32-bit counters and 8-channel sink type isolated digital output module and it is one of the members of the WF-2000 wireless product family. In addition, the WF-2055 has WLAN connection complies with the IEEE802.11b/g standards. With the popularity of 802.11 network infrastructure, the WF-2055 makes an easy way to incorporate wireless connectivity into monitoring and control systems. The WF-2055 also supports Modbus/TCP and UDP protocols and the network encryption configuration, which makes perfect integration to SCADA software and offer easy and safe access for users from anytime and anywhere.

Features

- Support sink type digital outputs
- Support sink / source type digital inputs
- Compatible with IEEE 802.11b/g standards
- Support infrastructure and ad hoc modes for wireless networks
- Support WEP, WPA and WPA2 wireless encryption
- Support Modbus/TCP and UDP protocols
- Support pair connection mode
- Support DO power on value & safe value Mechanism
- Built-in Watchdog

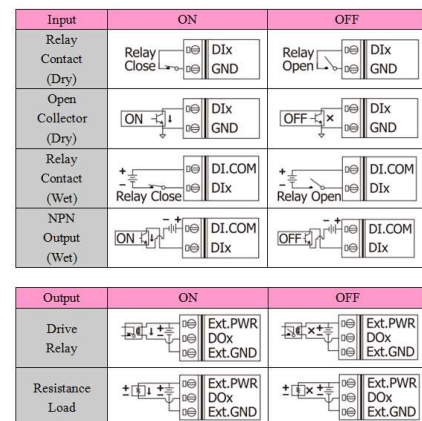


Utility Features

WF-2000 I/O Utility provides a simple way to easily test and instant acquire data for all ICP DAS Wi-Fi I/O series modules without programming

- Easily and quickly configure and test Wi-Fi I/O modules
- Provide I/O monitor screen
- Provide parameter storage interface
- Provide encryption configuration for wireless LAN

Wire Connection





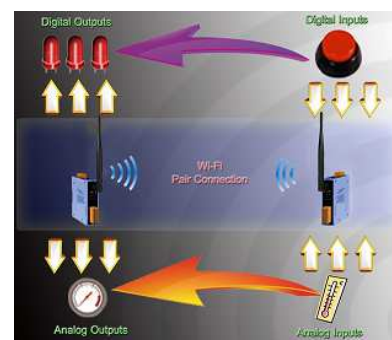
Hardware Specifications

Digital Input		
Channels	8	
Input Type	Dry Contact: Source, Wet Contact: Sink / Source	
Dry Contact Level	Off Voltage Level: Open	On Voltage Level: Close to GND
Wet Contact Level	Off Voltage Level: +4V max.	On Voltage Level: +10 V ~ +50 V
Counters	Channels	8
	Max. Counts	32-bit (4294967295)
	Max. Input Frequency	10K Hz
Photo-Isolation	3750 VDC	
Digital Output		
Channels	8, Sink(NPN)	
Output Voltage	+3.5 ~ +50 V	
Output Current	700mA per channel	
Intra-module Isolation, Field to Logic	3750 VDC	
Overvoltage Protection	60 VDC	
Wi-Fi Interface		
Antenna	5 dBi (Omni-Directional)	
Output Power	8 dBm @ 11Mbps	
Receive Sensitivity	-83 dBm @ 11Mbps	
Standard Supported	IEEE 802.11b/g	
Wireless Mode	Infrastructure & Ad-hoc	
Encryption	WEP, WPA and WPA2	
Transmission Range	50 meters (LOS)	
Power		
Input Voltage Range	10V ~ 30V	
Power Consumption	1.9W	
Mechanism		
Installation	DIN-Rail	
Dimensions	110mm x 90mm x 33mm (H x W x D)	
Environment		
Operating Temperature	-25°C ~ +75°C	
Storage Temperature	-30°C ~ +80°C	
Humidity	10% ~ 90%	

Applications



Connection architecture



I/O Pair Connection

Ordering Information

WF-2055 CR

Wi-Fi I/O Module with 8-channel Isolated Digital Input and 8-channel Sink Type Isolated Digital Output (RoHS)