

tET/tPET-P2R2
2-ch DI and 2-ch relay Tiny Ethernet
module
Quick Start Guide

What's in the box?

The package includes the following items:



tET/tPET-P2R2 Module x 1



Quick Start x1 (This Document)

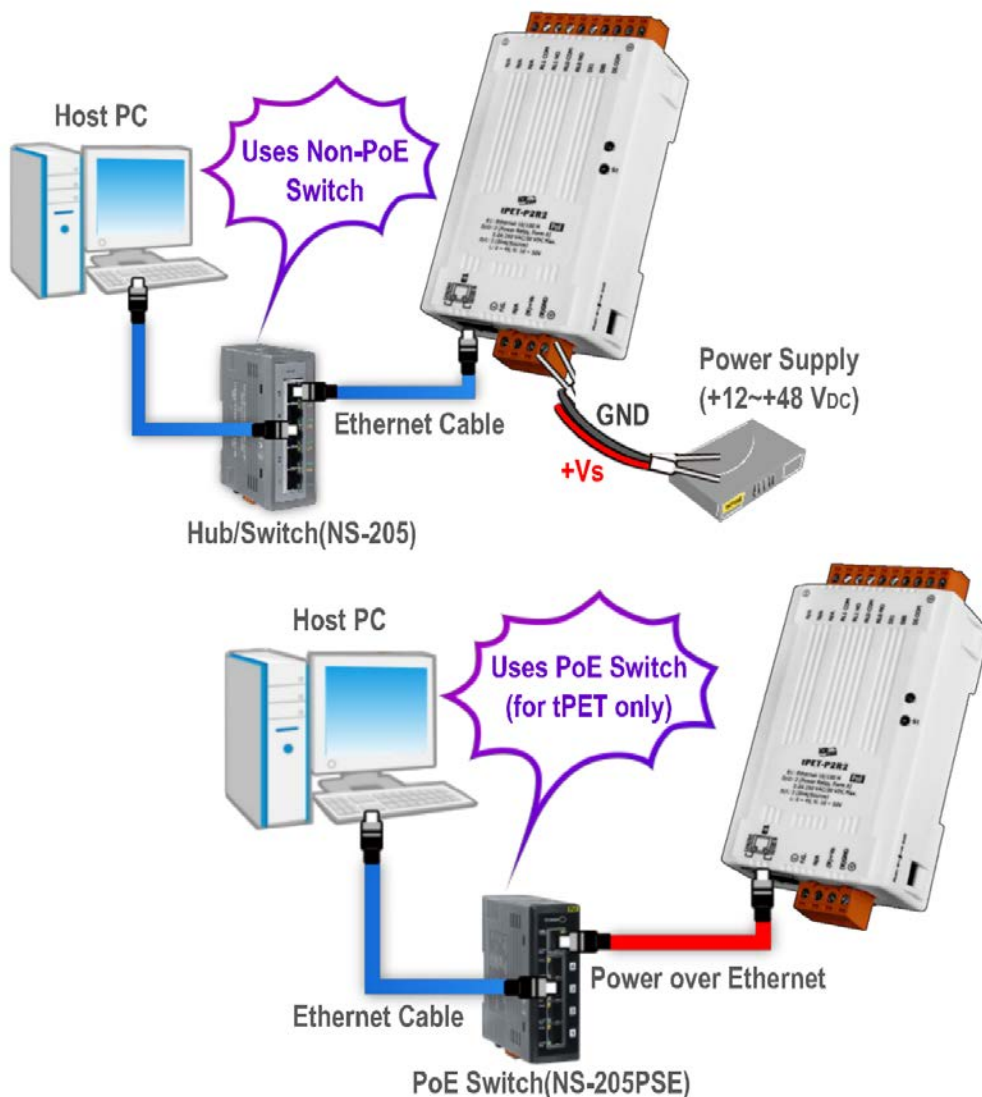
Product Website:

https://www.icpdas-usa.com/tet_p2r2.html

https://www.icpdas-usa.com/tpet_p2r2.html

1 Connecting the Power and Host PC

- 1) Make sure your PC has workable network settings.
 Disable or well configure your Windows firewall and Anti-Virus firewall first, else the “**Search Servers**” on Chapter 6 may not work. (Please contact with your system Administrator)
- 2) Connect both the tET/tPET-P2R2 and your PC to the same sub network or the same Ethernet switch.
- 3) Supply power (**PoE or +12~+48 Vdc**) to the tET/tPET- P2R2.



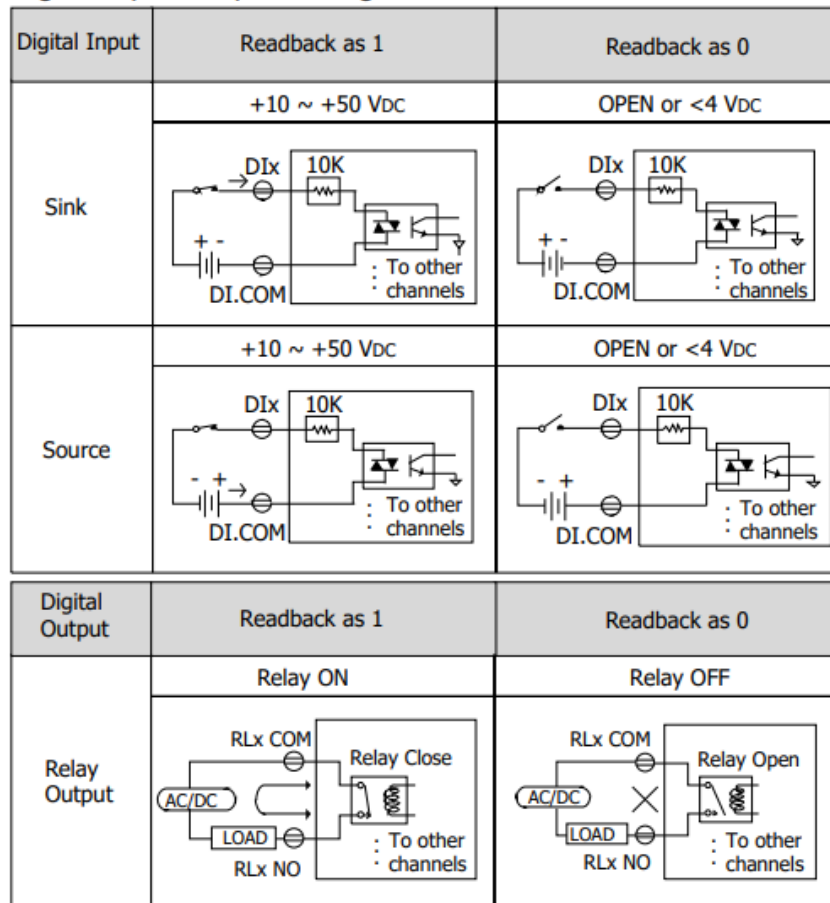
2 Pin Assignments & Wiring Note

➤ Pin Assignments:

Terminal No.	Pin Assignment
E1	
01	F.G.
02	N/A
03	(R)+Vs
04	(B)GND

Terminal No.	Pin Assignment
14	N/A
13	N/A
12	N/A
11	RL1 COM
10	RL1 NO
09	RL0 COM
08	RL0 NO
07	DI1
06	DI0
05	DI.COM

➤ Digital Input/Output Wiring:



3 Modbus Address

➤ (0xxxx) DO address:

Begin address	Points	Description	Bits Per Point	Range	Access Type
0 (0x0)	1~2	Digital Output Channels	1	0: OFF, 1: ON	R/W
32 (0x20)	1	Clears the status of all high latched DI channels	1	1: Clear	W
33 (0x21)	1	Clears the status of all low latched DI channels	1	1: Clear	W
⋮	⋮	⋮	⋮	⋮	⋮
235 (0xEB)	1~2	Sets the Power-on value for all DO Channels	1	0: OFF, 1: ON (Default: 0)	R/W/F
267 (0x10B)	1~2	Sets the Safe value for all DO Channels	1	0: OFF, 1: ON (Default: 0)	R/W/F

➤ (1xxxx) DI address:

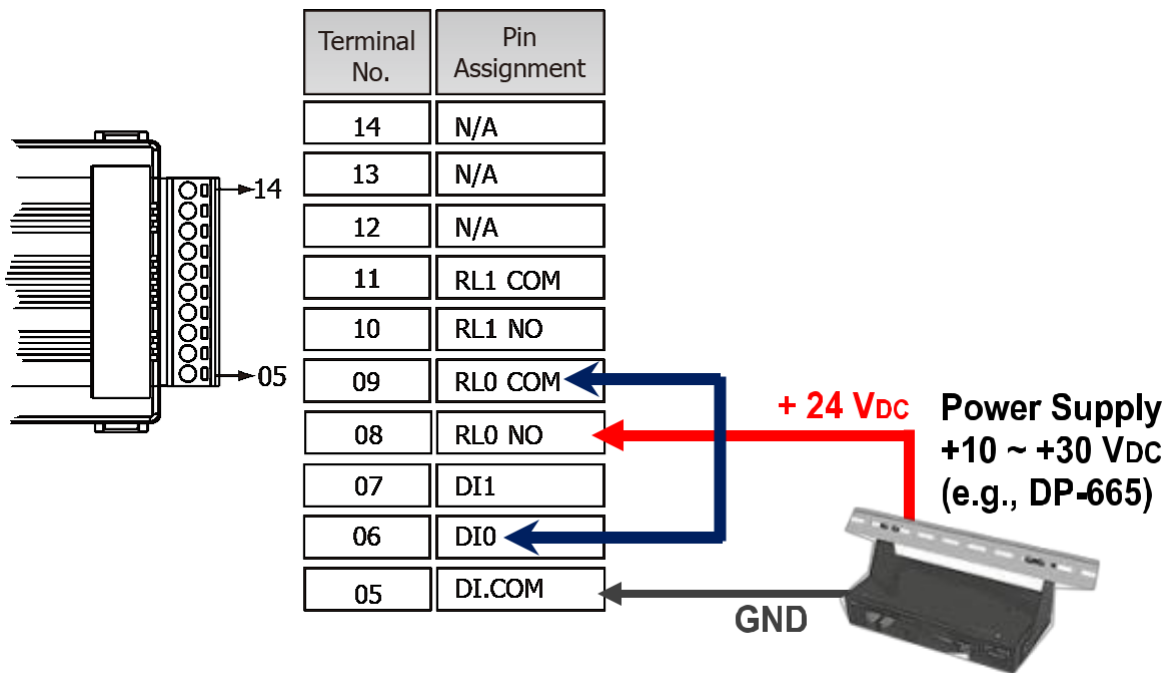
Begin address	Points	Description	Bits Per Point	Range	Access Type
0 (0x0)	1~2	Digital Input	1	0:Off 1:On	R
32 (0x20)	1~2	Digital latched status (high)	1	0:no 1:latched	R
64 (0x40)	1~2	Digital latched status (low)	1	0:no 1:latched	R

! Note

For detail “DI/DO Modbus Address” information, refer to Section 6.3 Modbus Register Table of user’s manual (<http://ftp.icpdas.com/pub/cd/tinymodules/napdos/tpet/document/>).

4 Wire the DI and DO for Self-test

- 1) Connect the RL0 COM pin (Pin09) and DI0 pin (Pin06).
- 2) Supply the External Power +24V to RL0 NO pin (Pin08).
- 3) Supply the External Power GND to DI.COM pin (Pin05).



5 Installing Software on Your PC

Install eSearch Utility, which can be obtained from the ICPDAS web site:



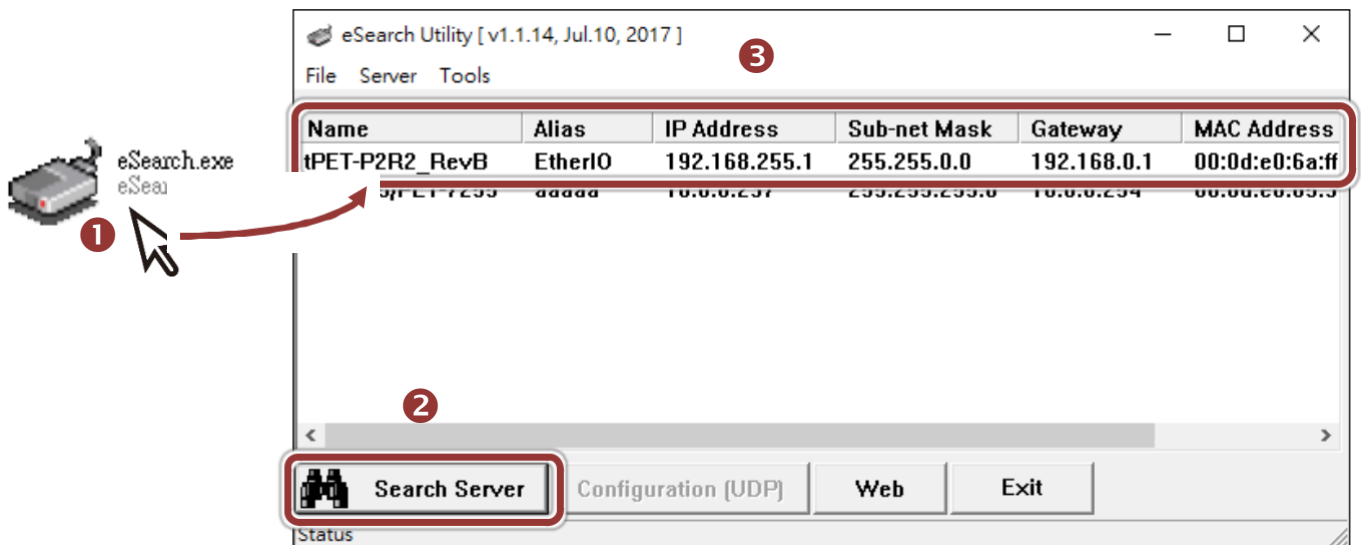
eSearch_v1.1.13_setup.exe

 <http://ftp.icpdas.com/pub/cd/tinymodules/napdos/software/esearch/>

 <ftp://ftp.icpdas.com/pub/cd/tinymodules/napdos/software/esearch/>

6 Configuring Network Settings

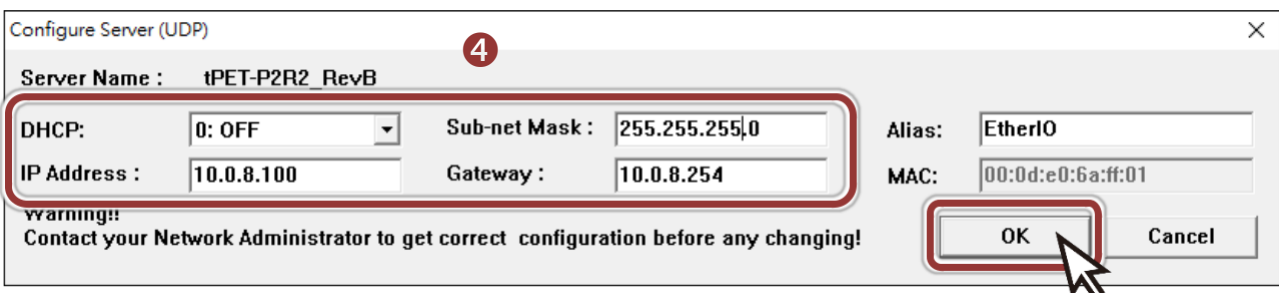
- 1) Double-click the **eSearch Utility** shortcut on the desktop.
- 2) Click the “**Search Servers**” to search your tET/tPET- P2R2.
- 3) Double-click your tET/tPET- P2R2 to configure the settings



Factory Default Settings of tET/tPET-P2R2:

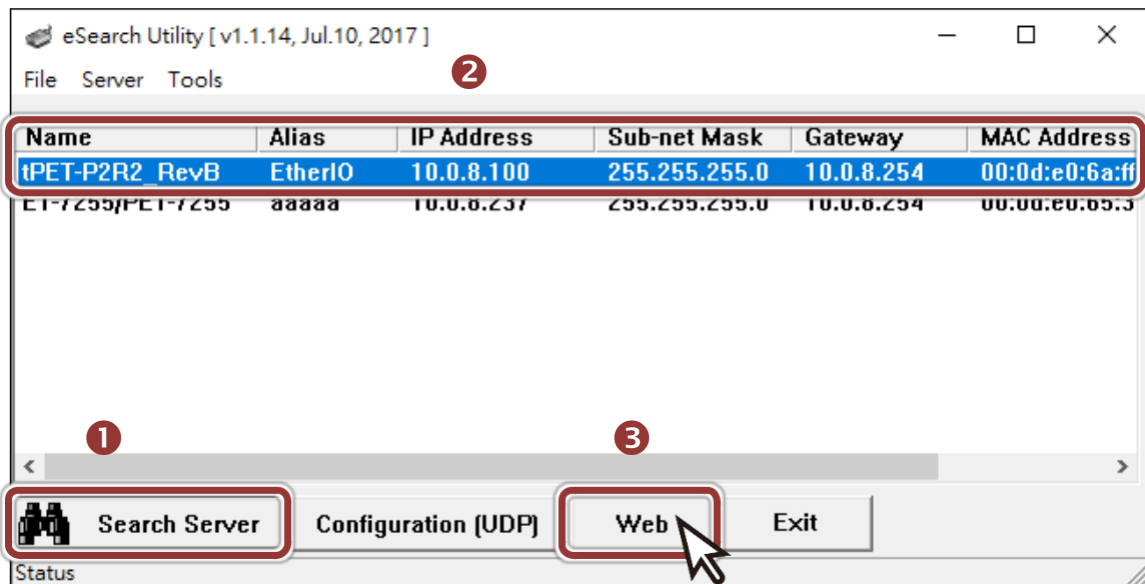
IP Address	192.168.255.1
Subnet Mask	255.255.0.0
Gateway	192.168.0.1

- 4) Contact your Network Administrator to obtain a correct network configuration (such as **IP/Mask/Gateway**). **Enter the network settings** and click “**OK**”. **⚠ Note: The tET/tPET-P2R2 will use the new settings 2 seconds later.**

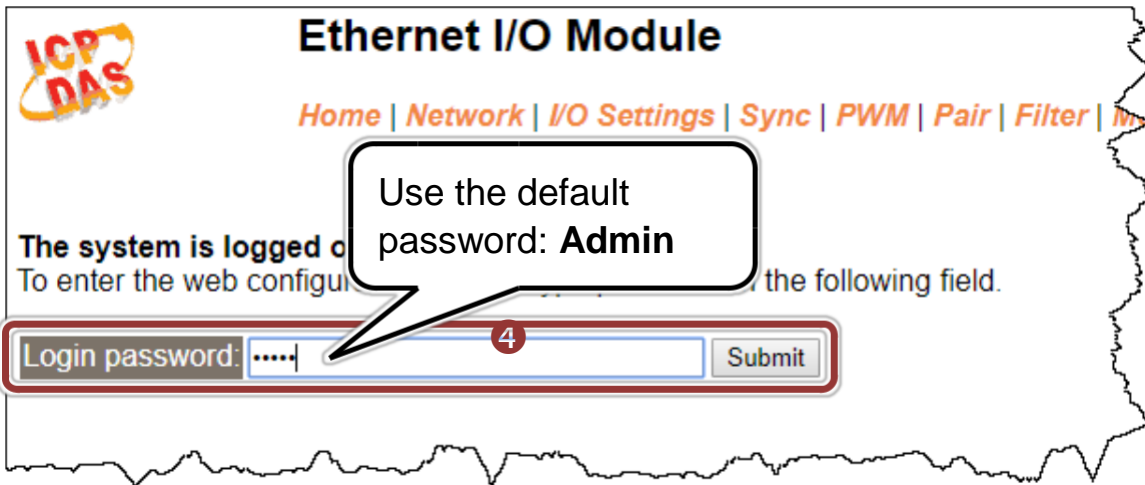


7 Testing your tET/tPET Module

- 1) Wait 2 seconds and click “**Search Servers**” button again to ensure the tET/tPET- P2R2 is working well with new configuration.
- 2) Click the name of tET/tPET- P2R2 to select it.
- 3) Click the “**Web**” button to log in to the web configuration pages.
(Or enter the URL address of the tET/tPET- P2R2 in the address bar of the browser.)



4) Enter the password in the “login password” field and click “Submit”.



5) In the “Home” page allows a simple test to be performed to verify the Digital Input and Output functionality.

6) In the “Digital I/O” section, click the “DO0” button to ON (Red).

7) The corresponding DI becomes green for DI0 is ON.

